

LD30HR-24V

Linear LED Hanging Rail



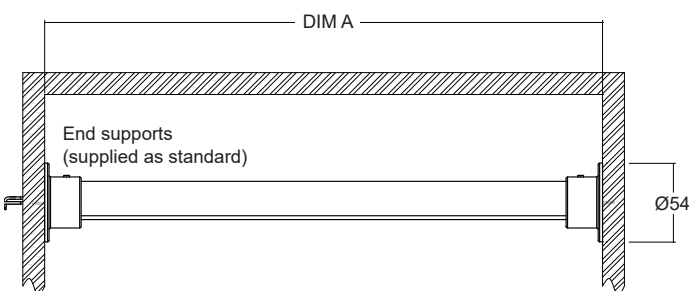
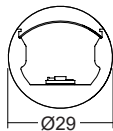
Data sheet - Page 1



The ultra slim profile of the updated LD30HR creates a very neat way of illuminating clothes in a wardrobe. LD30HR-24V incorporates a 24V LED tape with very close pitch LEDs and an opal diffuser. This creates a very consistent, diffused wash of light onto the clothes below, with no spotting of LEDs. Due to the 24V conversion the LED hanging rail no longer requires multiple drivers, ensuring that savings are achieved on both costs and installation time. Manufactured from high quality, hard wearing extruded and machined aluminium parts these fittings are ideal for high usage environments such as hotels and cloakrooms. The system is custom made to the exact dimensions on site ensuring no gaps in the light output.

Key Features

- Custom made lengths as standard to suit on site dimensions
- Ultra slim profile
- No spotting of LEDs
- 85+ CRI LEDs
- Low glare
- Great colour rendering on the clothes below
- Silver anodised finish recommended as this is the hardest wearing
- Opal cover supplied as standard
- 3mm tolerance built in allowing for adjustment on site
- Available with Switched, 0-10V, DMX or Dali drivers



Specification

Applications		
Description	Short pitch tape	
Colour Temperature	2400K / 2700K / 3000K	4000K / 5000K
Delivered lumens / m*	439lm/m	488lm/m
CRI	80+	
Lumens per watt*	50lm/w	56lm/w
Voltage (V)	24V DC	
LED cut increments	50mm	
LED spacing	8.3mm	
Min single length	63mm	
Max single length**	3000mm	
LED	Osram Flex	
Watts / m	8.7W/m	
LED lifetime	50,000hrs (to 70% lumen output)	
Max ambient temperature	45°C	
Materials	Anodised aluminium extrusion, end supports, and central supports. Polycarbonate opal cover.	
Cable length	Bus wire supplied - see installation notes	
IP rating	IP40	

*LED wattage includes losses associated with using an 85% efficient driver

**Shipping and practicalities of installation need to be considered when specifying long lengths

LD30HR-24V

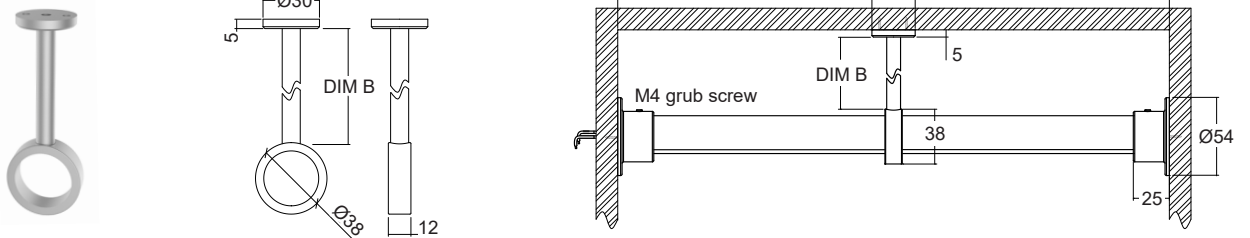
Linear LED Hanging Rail



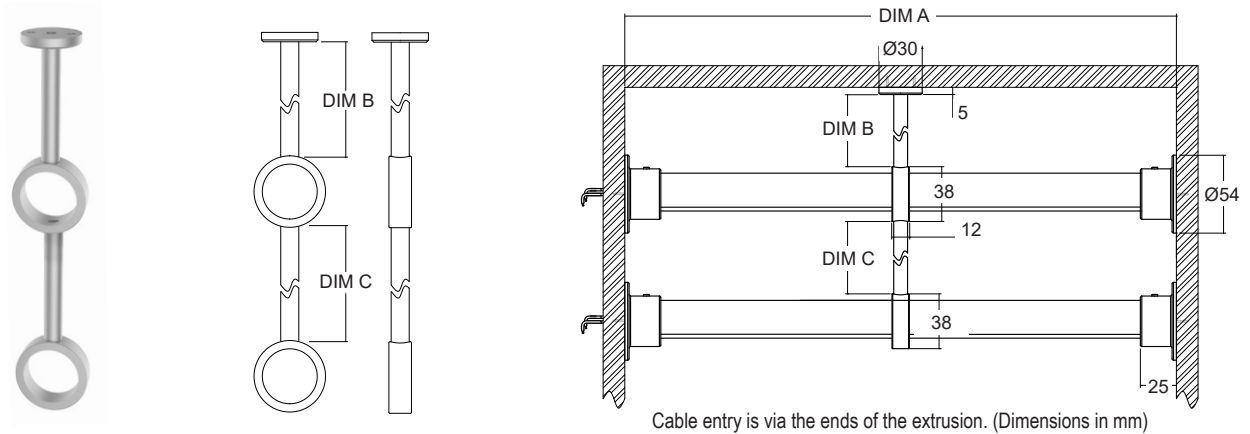
Data sheet - Page 2

Fixing Requirements and Dimensions

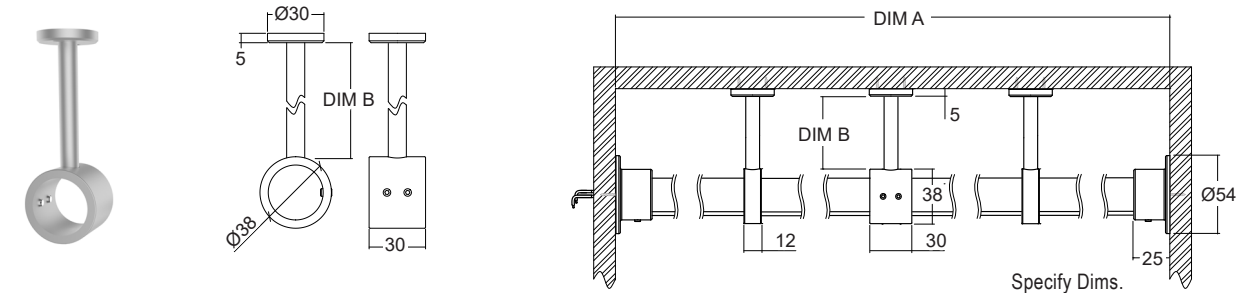
/CS - Centre support is required for lengths over 1.2m (see page 3). Specify Dim A and B



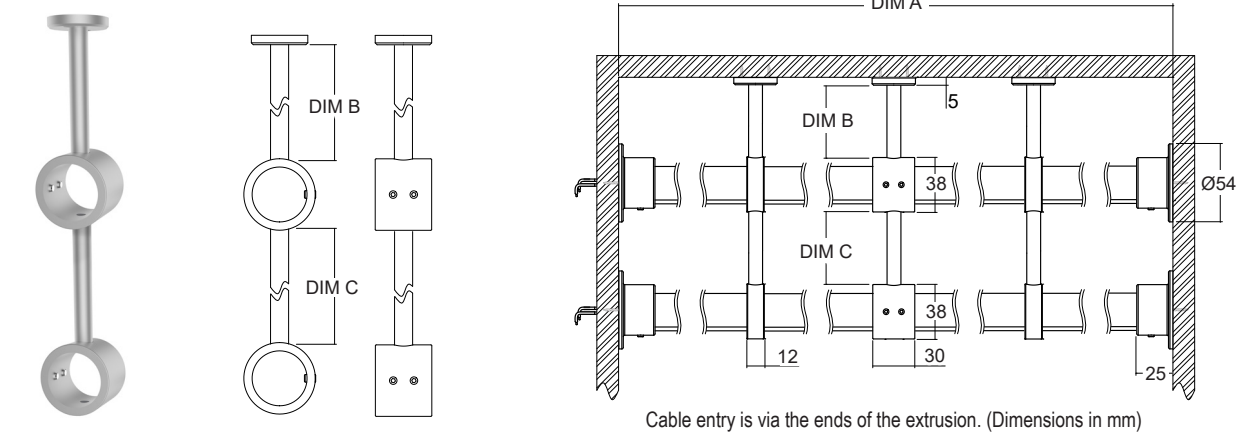
/CSD - Double centre support is required for two lengths over 1.2m. Specify Dim A, B and C



/CP - Coupler is required when the hanging rail exceeds 3m. In this case 2 lengths will be supplied and the coupler hides the join allowing up to a 6m hanging rail. Cable entry will be required at both ends. See page 3 for details. Specify Dim A and B



/CPD - Double coupler. See page 3 for details. Specify Dim A, B and C



LD30HR-24V

Linear LED Hanging Rail



Data sheet - Page 3

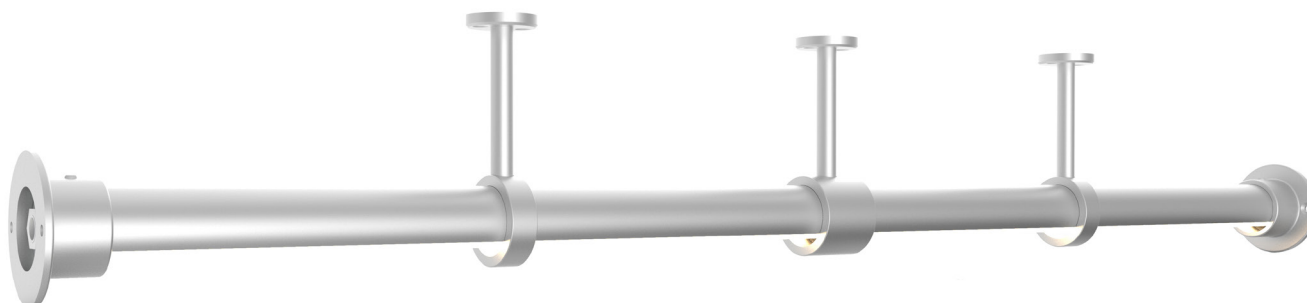
Design Advice

The LD30HR-24V requires various supports depending on the specified length of the fitting. A single centre support must be used every 1.2m. As the longest single length that can be supplied is 3m a coupler must be used when DIM A exceeds this.

DIM A (m)	Support Requirements
0 - 1.1	No support needed
1.2 - 2.4	1 central support
2.5 - 3	2 central supports

Example:

Defined dimension is 3.4m. This will be supplied as two lengths of 1.7m. As these individual lengths are between 1.2m - 2.4m, one central supporting ring must be used per length. The image below depicts what the fitting would look like in this situation. Cable exits are from each end.



Order Codes and Options

Product code	LED colour	Fixing option	Length (DIM A)	Finish
LD30HR-24	<input type="text"/>	<input type="text"/>	<input type="text"/>	<input type="text"/>

Example: LD30HR-24 / LW30 / CS (DIM A = 250mm) / 1700mm / Silver

LED colour options	Suffix
Super Warm White (2400K)	/LW24
Extra Warm White (2700K)	/LW27
Warm White (3000K)	/LW30
White (4000K)	/LW40
Cool White (5000K)	/LW50
Fixing option	
Central support (DIM B)	/CS
Double centre support (DIM B / DIM C)	/CSD
Coupler (DIM B)	/CP
Double coupler (DIM B / DIM C)	/CPD
Finish options	
Silver anodised (standard)	
Black anodised	

To be used with 24V constant voltage LED Drivers and Controllers

We offer a range of drivers with 1-10V, DMX, and DALI dimming options. Please download the data sheet from the downloads section at www.lightgraphix.co.uk, or contact us for more information